

Cable Management System

AN ISO : 9001-2015 Certified Company

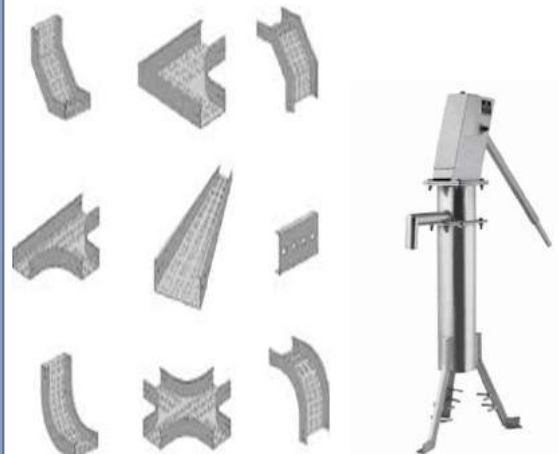


AJAY INDUSTRIAL CORPORATION LTD.

Manufacturer & Exporters of all kind of hand pumps,
Rigid UPVC Pipes, cPVC Pipes & Fittings, Cable Tray, Solar Structure

High performance with high quality

Address: 20/11, Site IV, Sahibabad
Industrial Area Ghaziabad, Uttar Pradesh
201010, India
Phone: +(91)-(120)-277 0679, 277 47 47
Cell : 8802209699





Index

SI No	Particular	Page No
1	About us	1
2	Company Detail	2
3	Organization Chart	3
4	Certifications	4
5	Product Range	5
6	Products Images	6-20
7	Credential (India)	21
8	Credential (Abroad)	22
9	Quality flow chart	23-27
10	Plants & Machineries	28-29



AJAY INDUSTRIAL CORPORATION LTD.

Manufacturer & Exporters of all kind of hand pumps,
Rigid UPVC Pipes, cPVC Pipes & Fittings, Cable Tray, Solar Structure

About "AICL"

Ajay Industrial Corporation Limited was Established in 1961, a renowned manufacturing organization in India, we specialized in manufacturing various kinds of products related to **Cable Management system & Water Management**. It may not be out of place to mention that **"AICL"** is the first Indian Manufacturing organization especially in the hand pumps segment who has been accredited with ISO 9001-2015 Certification.

"AICL" has been regularly winning Export Excellence Awards at National Level from Engineering Export Promotion Council (EEPCINDIA) of the Ministry of Commerce, Government of India for many years towards maximum contribution in exports. **"AICL"** is merely not an assembly unit like other Indian suppliers but is the only manufacturing unit which manufactures of complete **Perforated Cable Tray, Ladder Tray, Raceway, Junction Boxes, Bends, Coupler Plate, Hand rail, Solar module mounting Structure & hand pumps under single roof, where in-house facilities of Finish goods, pre galvanised, hot dip galvanised, painted & Powder Coated**) hereby maintaining uniform quality policy.

We have been associated with reputed International Agencies / NGOs which are involved in continuous Research and Development in Cable Management, hand pumps and other water management products. Our products are being manufactured under close supervision of highly trained and experienced technical staff. These products enjoy high reputation even amongst national & internationally companies like Tata Solar project Ltd and other reputed African industries. Due to our top quality raw material, best workmanship under stringent quality controls at various stages and the vast infrastructure managed under single roof. Our in house research and development division is involved in continuous improvement of products' quality/features and also in development of new products. We have diversified into Hand Pumps , UPVC Casing Pipes and Screen Pipes, Column Pipes water purification system, Cable Management system & Solar Photovoltaic Systems also.

Also if you required any tailor made Cable Tray & Other Structure we are willing to develop the same for you.

Since we have large production capacity we will be able to supply you the materials very promptly.

Looking forward for your kind support and co-operation.

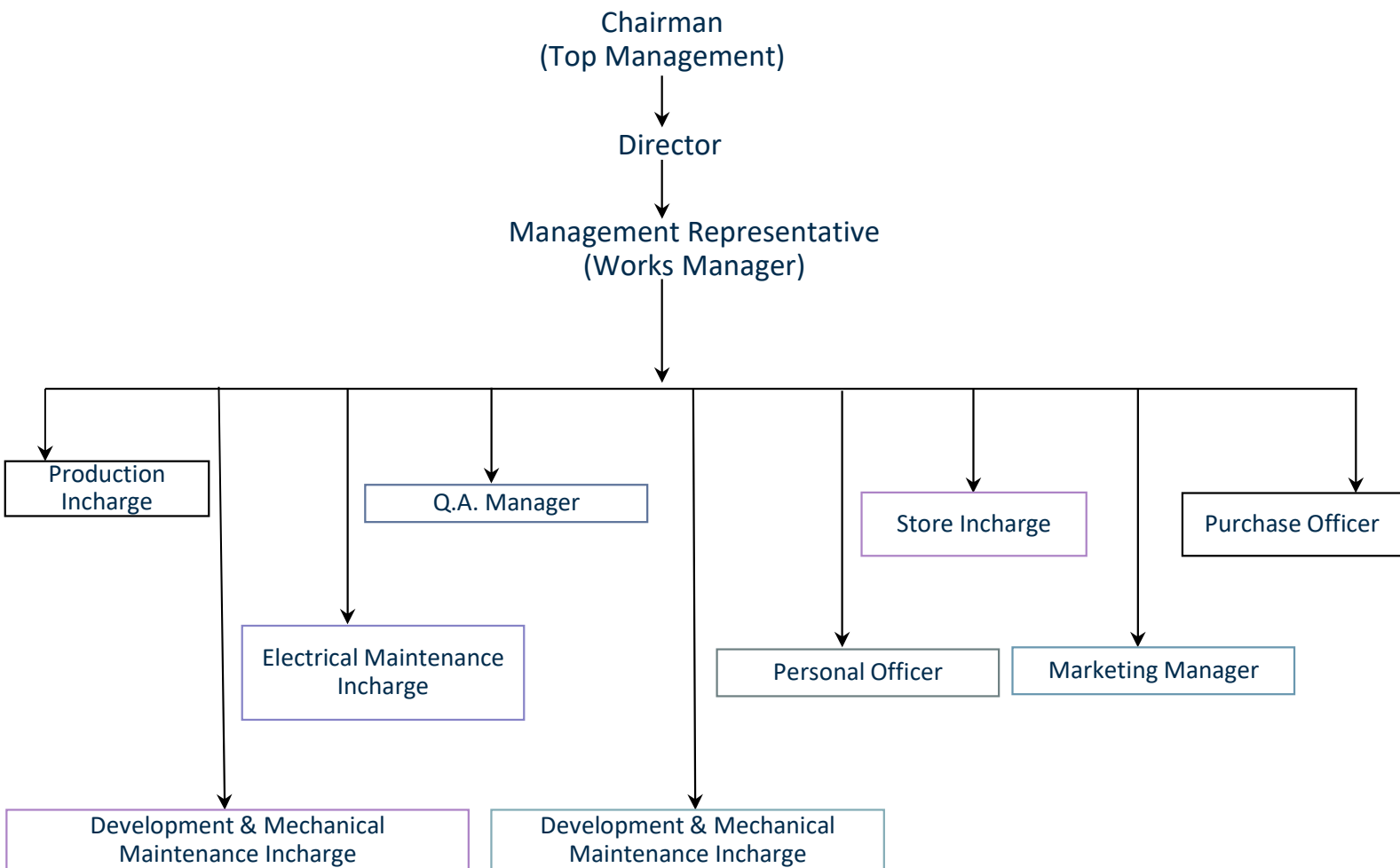
For more information please do visit our website www.ajayindustrial.com



Company Detail

Established in	1961
Company Name	Ajay Industrial Corporation Limited
Address	20/11, Site IV, Sahibabad Industrial Area Ghaziabad, Uttar Pradesh 201010, India
GST Registration Number	09AAHCA1943Q1Z6
Pan No	AAHCA1943Q
Type Of Industries	Medium Enterprises
Weekly Off	Sunday
Annual Turnover Last 3 Year	1. 2017-2018 – 256 Crore 2. 2018-2019 - 260 Crore 3. 2019-2020 - 257 Crore
Name Of The Chief Executive	Mr. Akhil Jain
Email I'd	
Contact Detail	+ (91)-(120)-277 0679, 277 47 47 Fax: +(91)-(120)-2770629
Bank Detail	<ol style="list-style-type: none">1. Bank Name - ICICI Bank2. A/c No –3. IFSC Code – ICIC00002554. Branch Kaushambi Ghaziabad
Plant area and capacity	<ol style="list-style-type: none">1. 10000 sqm2. Covered area 5740 sqm
Numbers Of Employee's (AICL Group)	1. 500 Employee's
Organization Chart	Enclosed

Organization Chart



Prepared By QMSC	Control Copy Stamp	Approved By Director (Mr. Akhil Jain)
------------------	--------------------	--



AJAY INDUSTRIAL CORPORATION LTD.

Manufacturer & Exporters of all kind of hand pumps, Rigid UPVC Pipes, cPVC Pipes & Fittings, Cable Tray, Solar Structure

Certifications

* Our Company is certified by the following agencies



Government of India
Form GST REG-06
[See Rule 10(1)]

Registration Certificate

Registration Number :09AAHCA1943Q1Z6

1.	Legal Name	AJAY INDUSTRIAL CORPORATION LIMITED			
2.	Trade Name, if any	M/S AJAY INDUSTRIAL CORPORATION LTD			
3.	Constitution of Business	Public Limited Company			
4.	Address of Principal Place of Business	20/11, Site IV, Sahibabad Industrial Area, Sahibabad, Ghaziabad, Ghaziabad, Uttar Pradesh, 201010			
5.	Date of Liability	01/07/2017			
6.	Period of Validity	From	01/07/2017	To	NA
7.	Type of Registration	Regular			
8.	Particulars of Approving Authority				



भारत सरकार
Govt. of India
सूक्ष्म, लघु और मध्यम उद्यम संस्थान
MINISTRY OF MICRO, SMALL & MEDIUM ENTERPRISES

उद्योग आधार
MSME Udyog Aadhaar

Udyog Aadhaar Registration Certificate
MSDC00004667
Name of Enterprise: AJAY INDUSTRIAL CORPORATION LIMITED

Sl. No.	Floor/Door/Block No.	Name of Premises/Building/Village	Road/Street/ Lane	Area/Locality	City	Pin	State	District
1	PLOT NO-20/11	SITE IV	SAHIBABAD	INDUSTRIAL AREA	GHAZIABAD	201010	UTTAR PRADESH	GHAZIABAD
2	20/11	PHASE 4	SAHIBABAD	INDUSTRIAL AREA	NEW DELHI	110044	DELHI	WEST DELHI
3	DATE NO 381282	BHOKH SHIRVAL ROAD	VILLAGE WING	TAL	ROHINDLA	412001	MAHARASHTRA	SATARA

Official Address of Enterprise: (SITE NO. 381282) BHOKH SHIRVAL ROAD, VILAGE WING, TAL WANDALA, DISTT. SATARA
District: SATARA State: MAHARASHTRA PIN: 412001
Mobile No: 9830113031 Email: info@ajayindustrial.com

Date of commencement: 19/12/2017
Major Activity: MANUFACTURING
Enterprise Type: Medium

Sl. No.	NIC 2 Digit	NIC 4 Digit	NIC 5 Digit Code	Activity Type
1	22	2230 - Manufacture of plastics products	22300 - Manufacture of other plastics products n.e.c	Manufacturing
2	38	3813 - Manufacture of machinery and equipment n.e.c.	38131 - Manufacture of hand pumps	Manufacturing
3	13	1399 - Manufacture of other textiles n.e.c.	13996 - Manufacture of weaving of textile materials and articles of bedding such as sanitary napkins and tampons.	Manufacturing

Acknowledgment Date of Filing: 20/12/2017 Date of Printing: 10/01/2018

Disclaimer: This is computer generated statement, no signature required. Printed from udyogadhaar.gov.in

MyAadhaar Mobile App (Beta Version) is available now for download: <https://myaadhaar.com/android/udyogadhaar-beta/udyogadhaar-beta.apk>



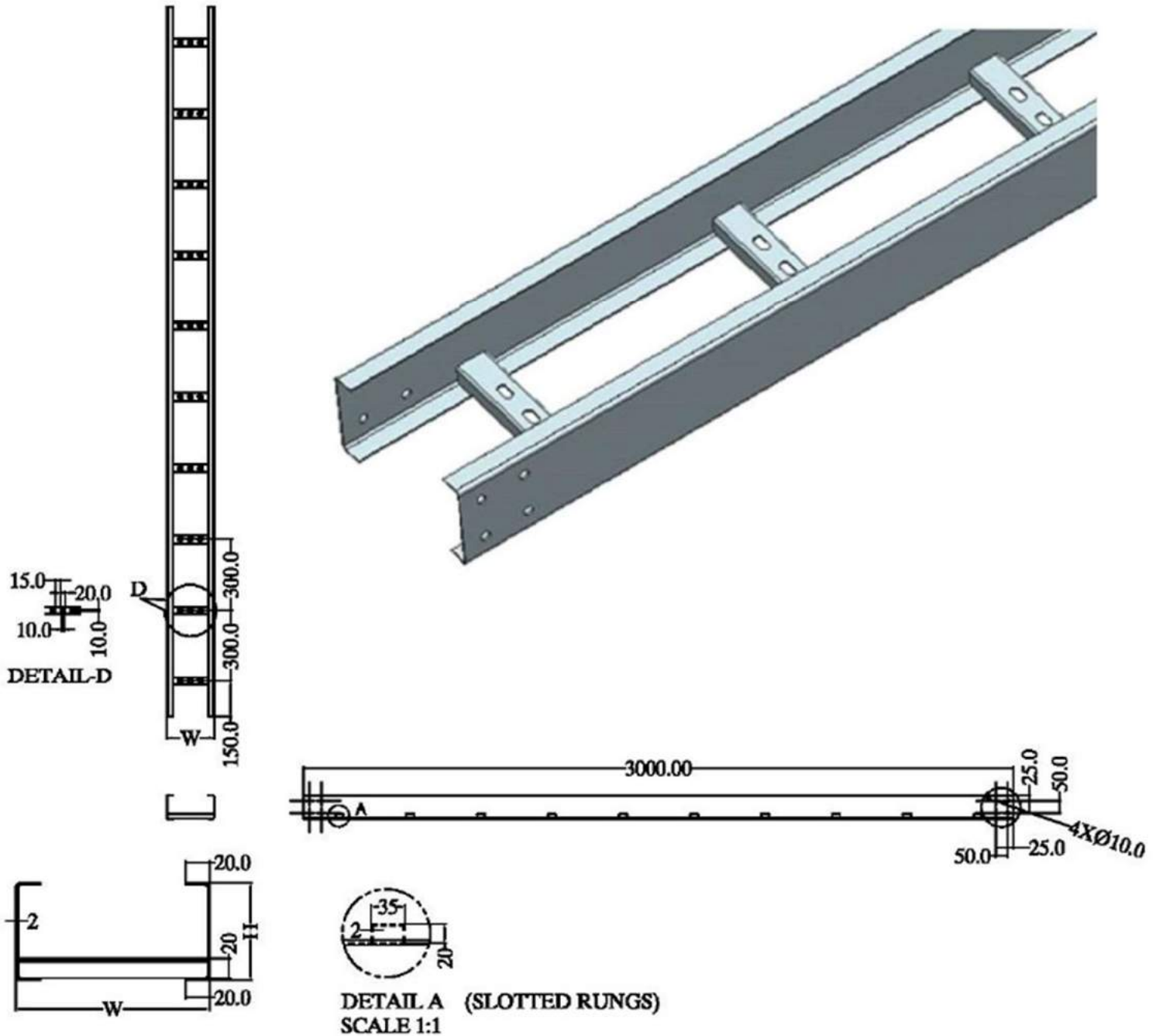
Decide with Confidence



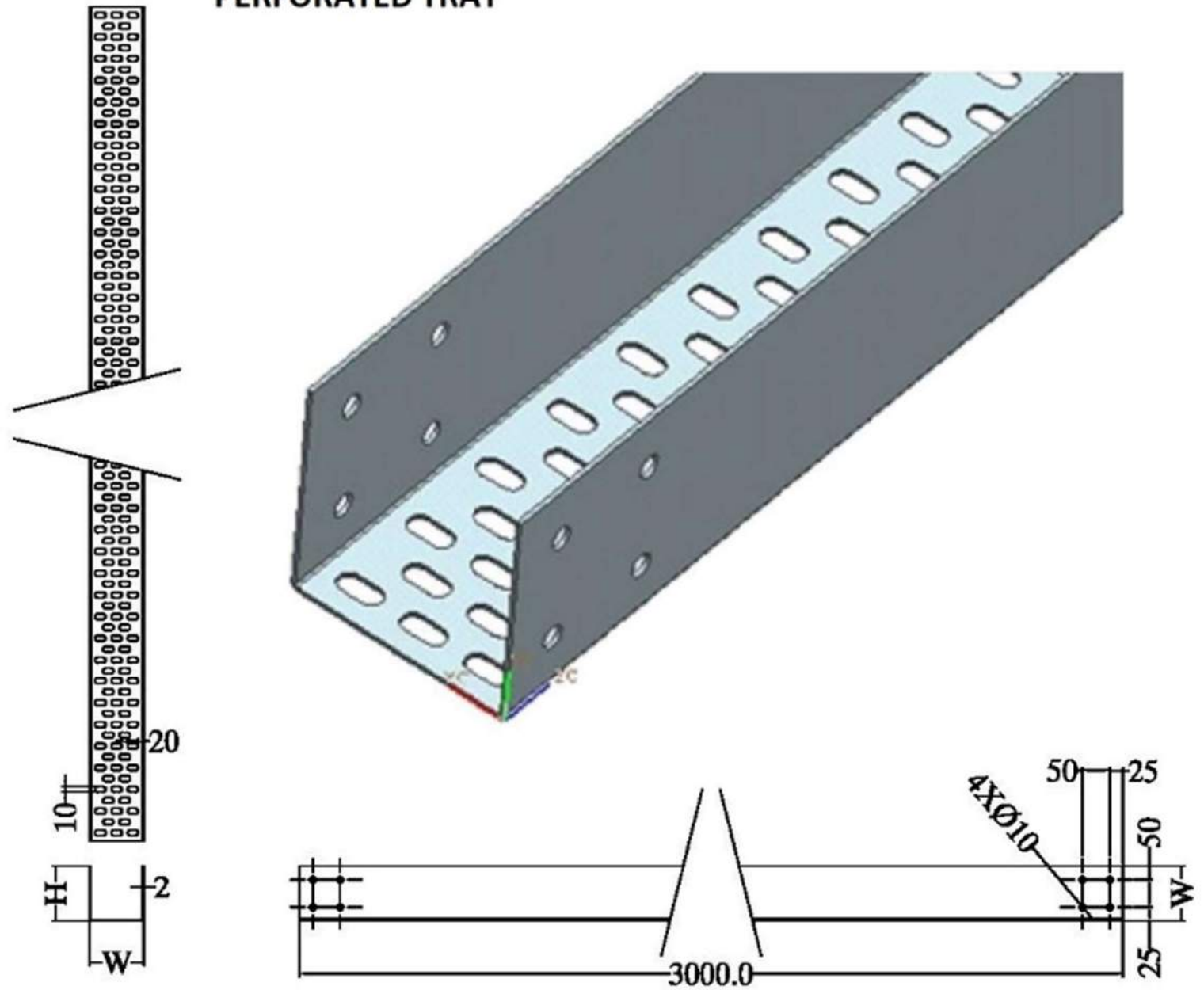
Product's Range of Cable Tray & Solar MMS

SL No	Particulars	Finish
1.	Perforated Type Cable Tray's	1. MS Powder Coated (50 to 60 Micron Average) 2. MS Painted 3. Pre Galvanized (IS277 Coating thickness 80 to 120 gsm average) 4. Hot Dip Galvanized (IS 2629 / 4759 Coating thickness 65 micron average)
	Ladder Type Cable Tray's	
	Raceway's	
	Junction Boxes	
	Bends and accessories	
	C Chanel	
2.	Solar Structure / Solar Tree / Carport structure	As Per Customer Requirement
3.	Hand Rail	As Per Customer Requirement
4.	Hand Pump	As Per Customer Requirement
5.	Earthing Materials (GI Strip , GI wire, Cu Strip, Earth Electrode Etc.	As Per Customer Requirement
6.	Customized Fabricated Items	As Per Customer Requirement
7.	cPVC and uPVC pipes and fittings	As Per Customer Requirement

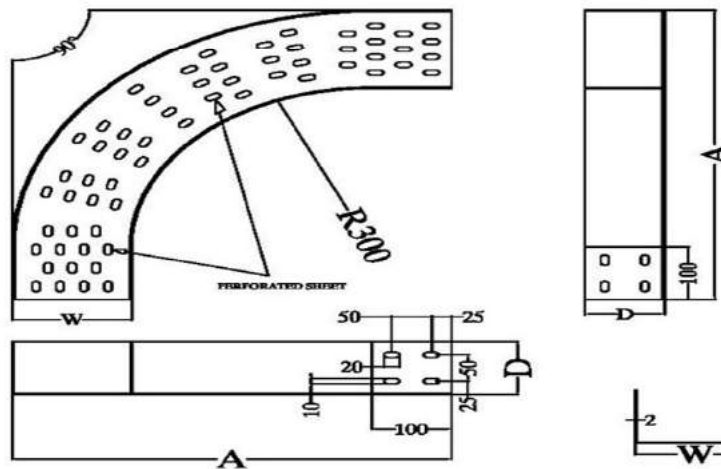
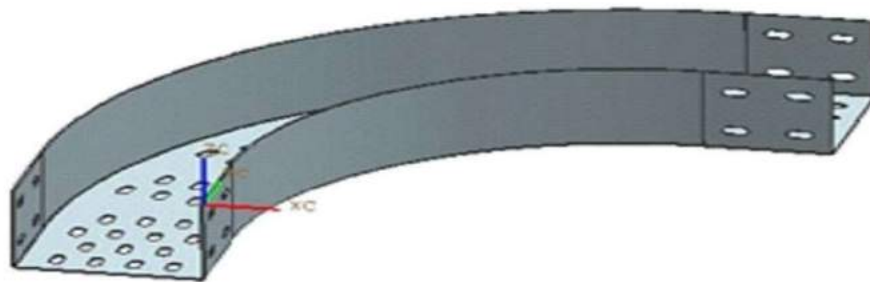
LADDER TRAY



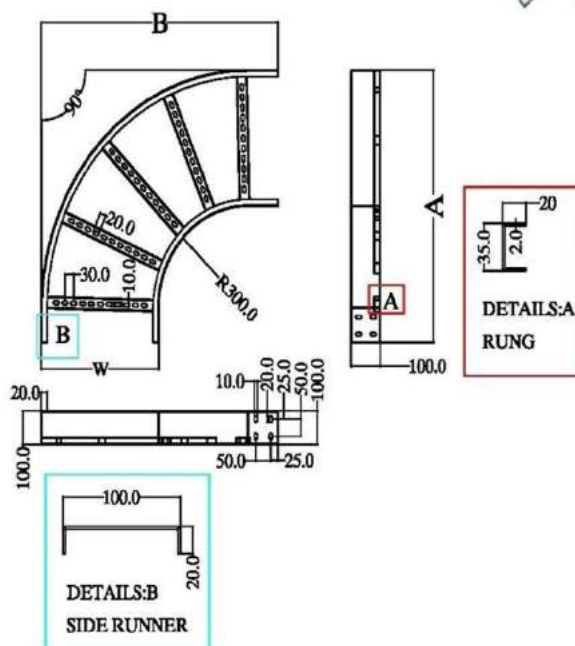
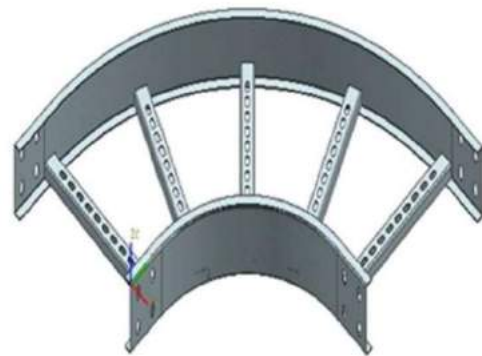
PERFORATED TRAY



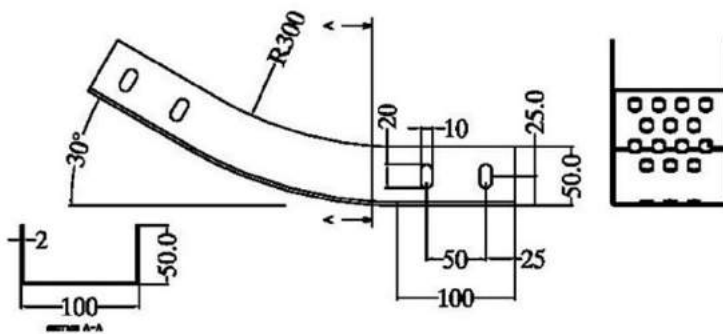
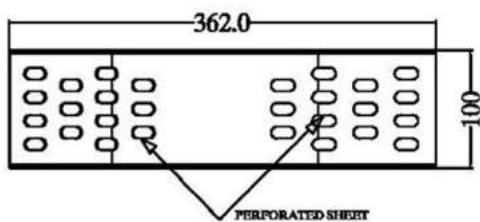
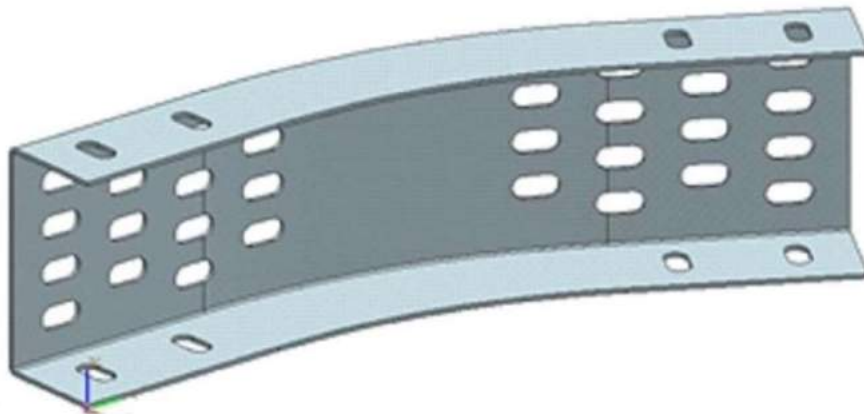
90 DEG HORIZONTAL BEND - PERFORATED TYPE



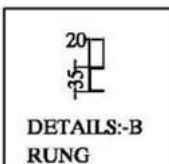
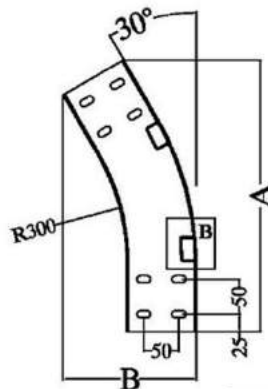
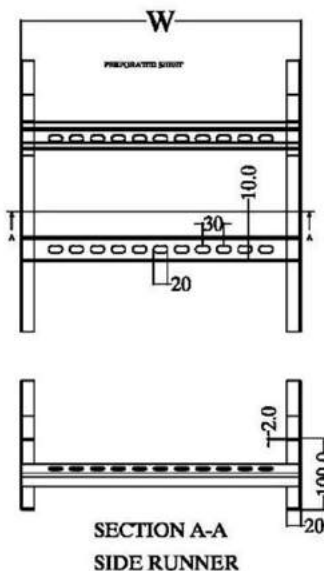
90 DEG HORIZONTAL BEND - LADDER TYPE



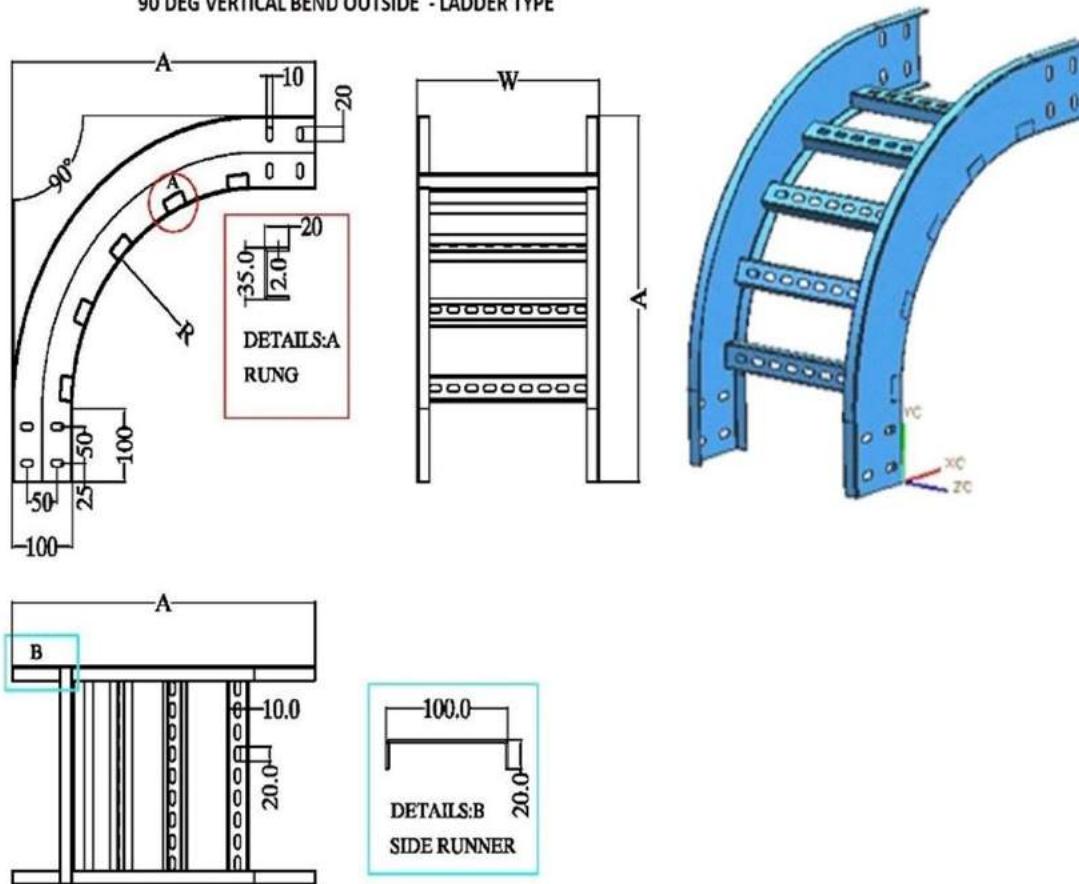
90 DEG VERTICAL BEND INSIDE - PERFORATED TYPE



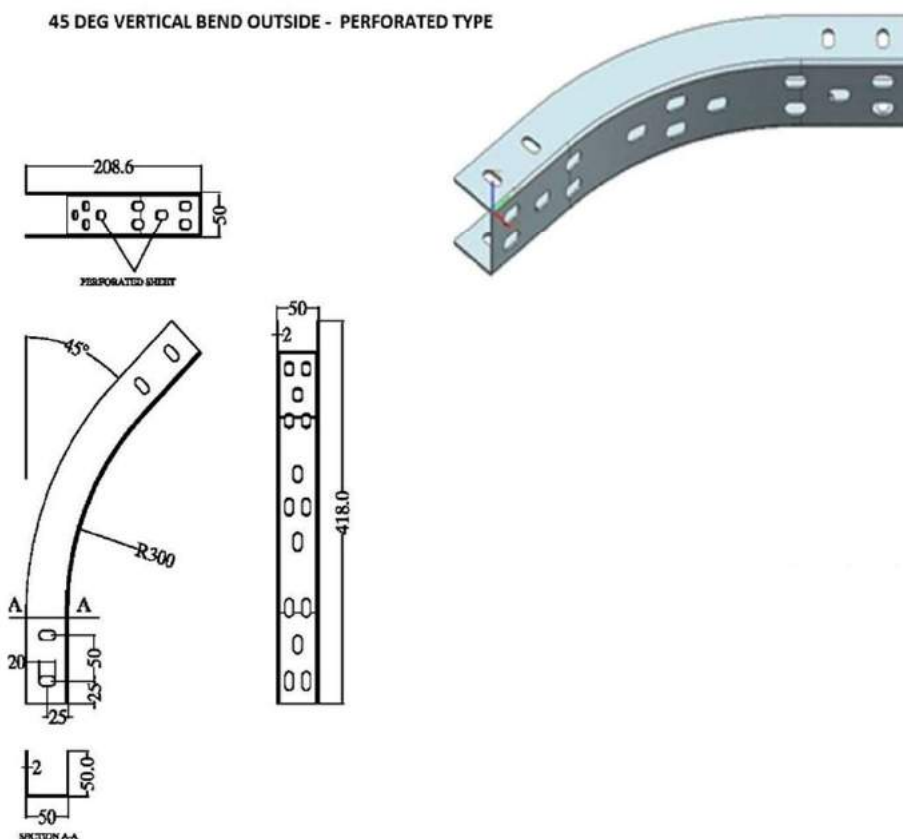
30 DEG VERTICAL BEND INSIDE - LADDER TYPE



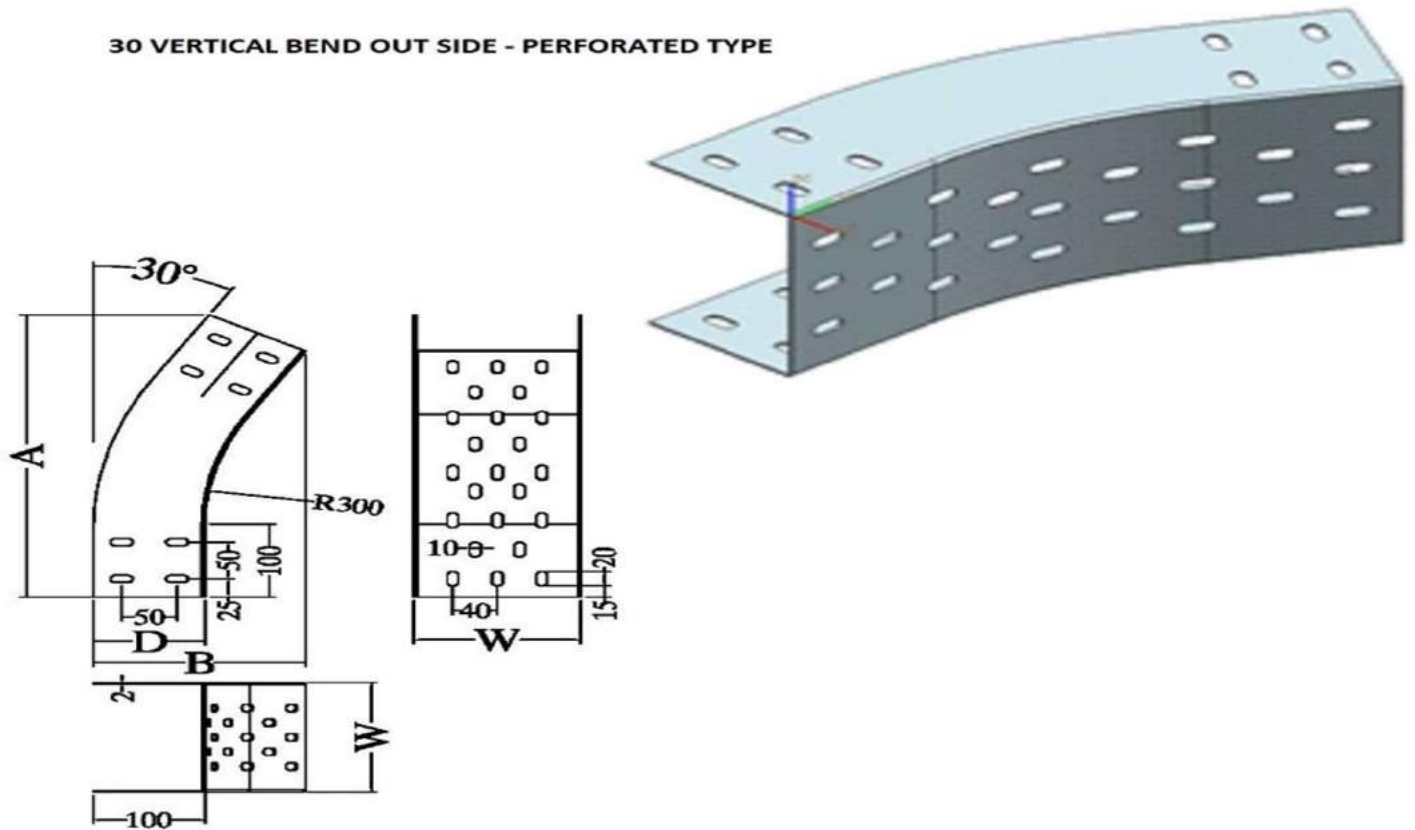
90 DEG VERTICAL BEND OUTSIDE - LADDER TYPE



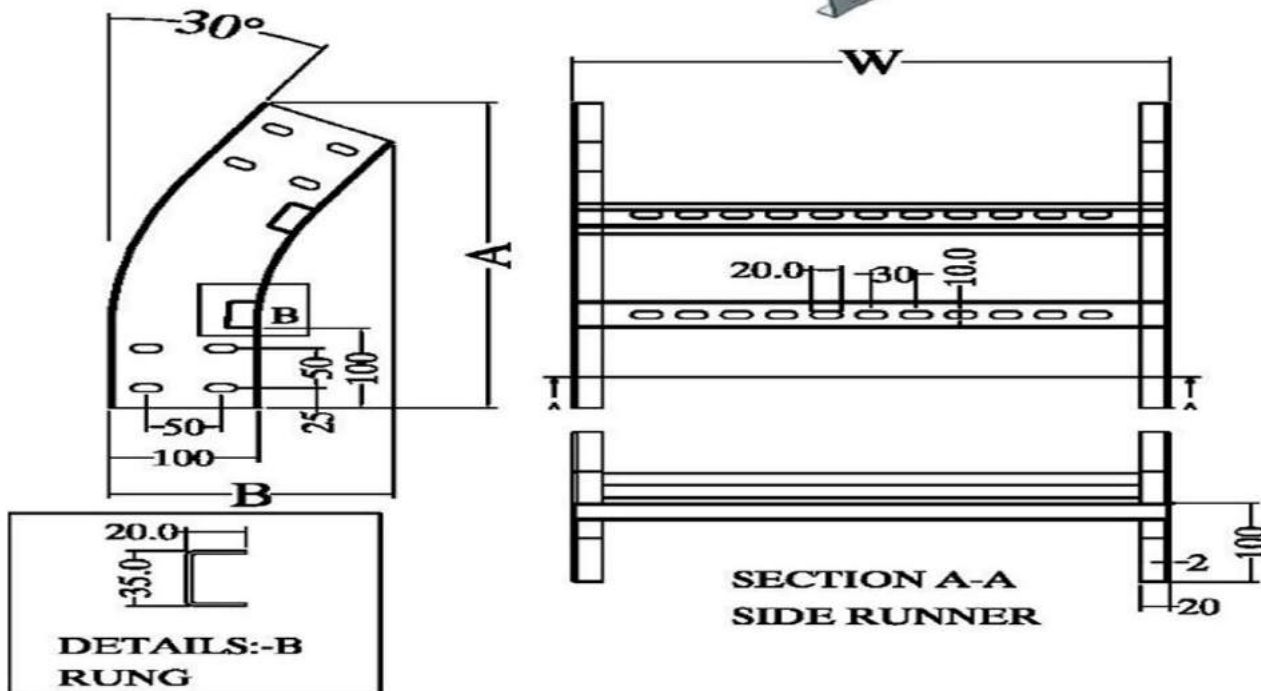
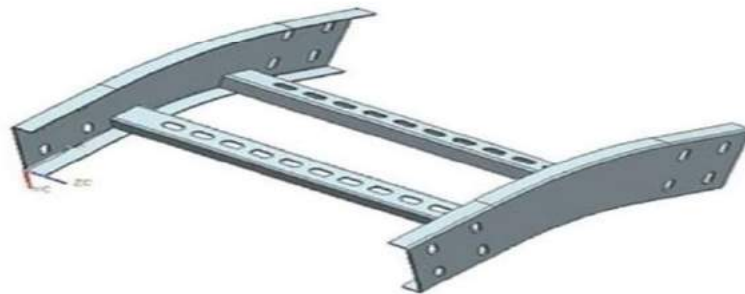
45 DEG VERTICAL BEND OUTSIDE - PERFORATED TYPE



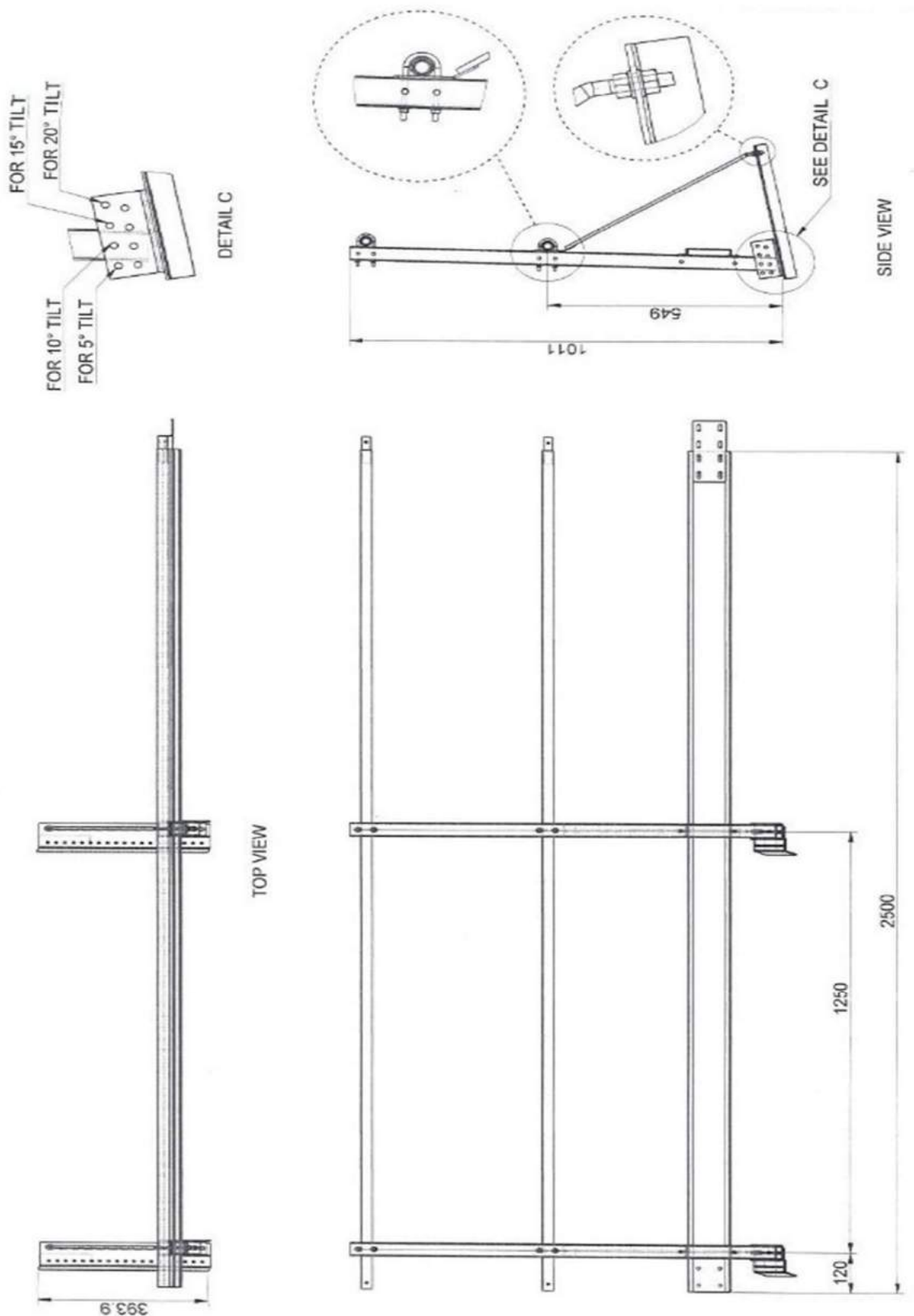
30 VERTICAL BEND OUT SIDE - PERFORATED TYPE



30 DEG VERTICAL BEND OUT SIDE - LADDER TYPE



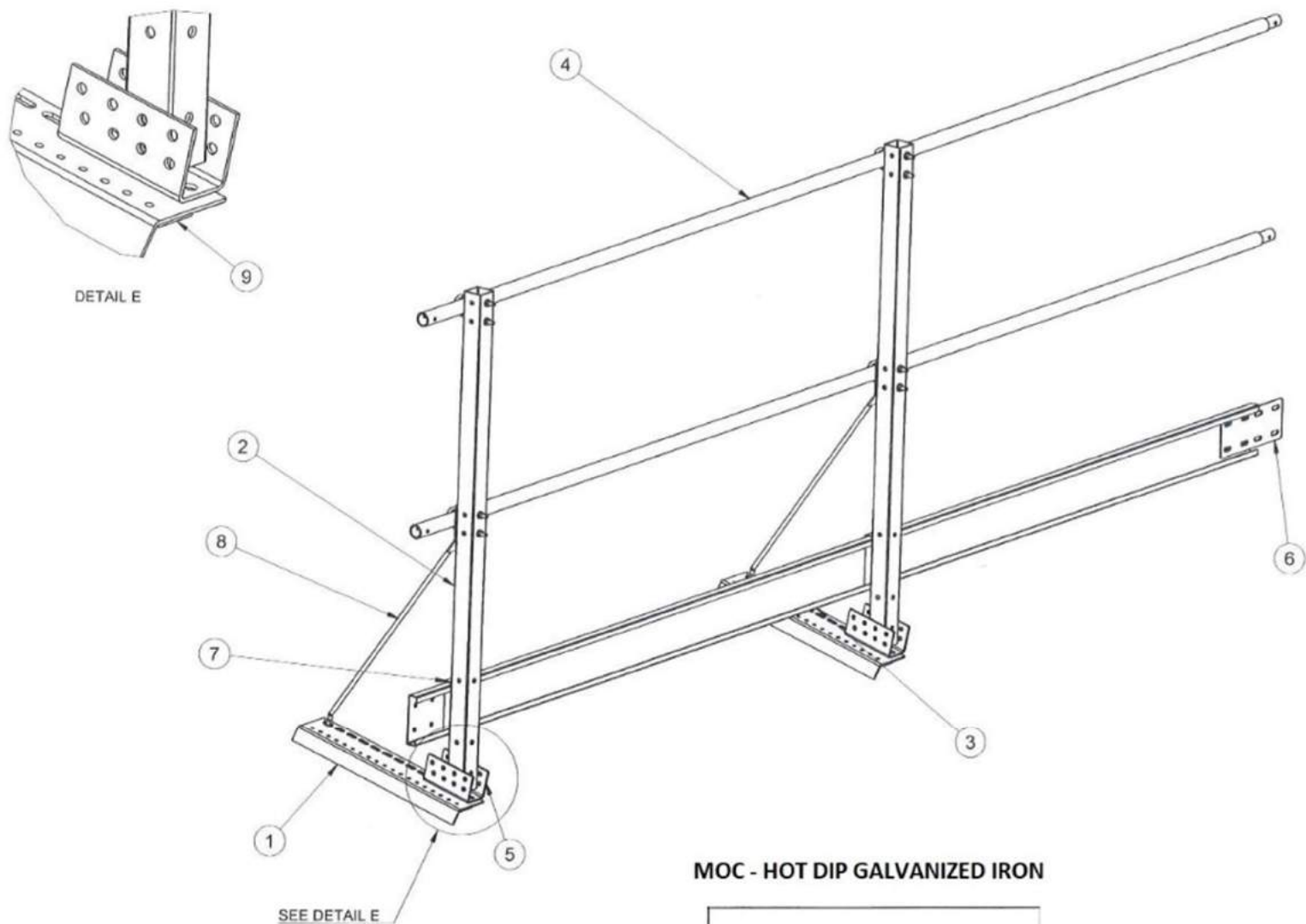
HAND RAIL



MOC - HOT DIP GALVANIZED IRON

Subject Title - Hand Rail Assembly
M/s Ajay Industrial Corporation Ltd

HAND RAIL

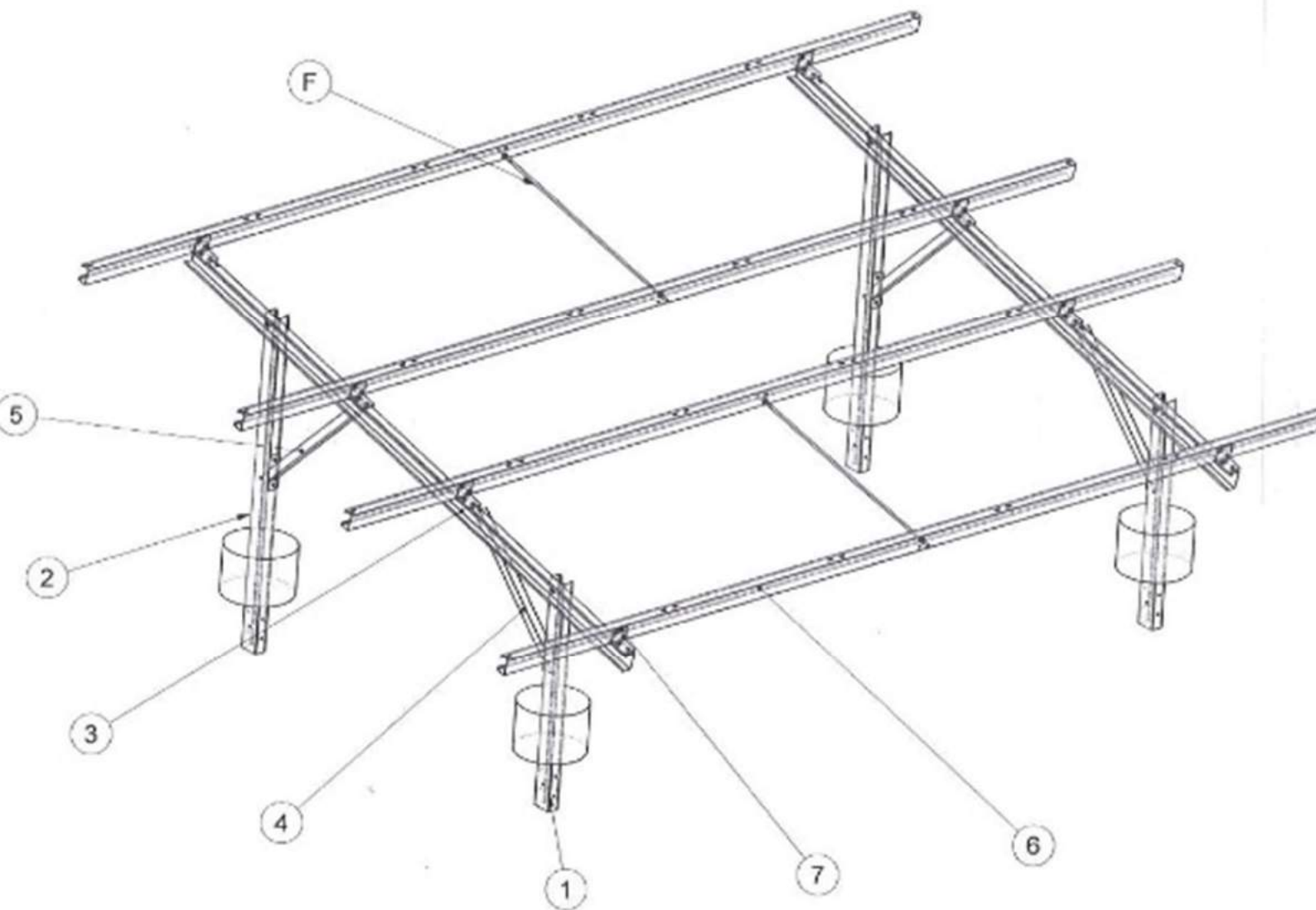


MOC - HOT DIP GALVANIZED IRON

Subject Title - Hand Rail Assembly

M/s Ajay Industrial Corporation Ltd

HAND RAIL

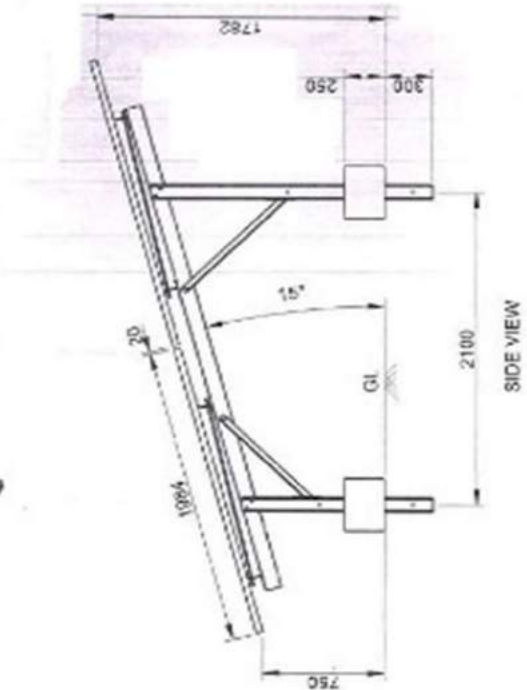


ISOMETRIC VIEW

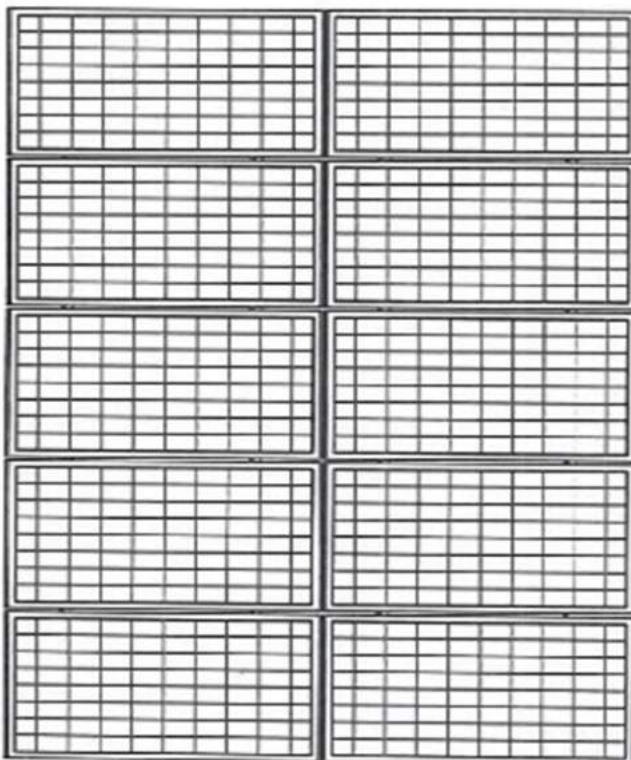
SOLAR STRUCTURE



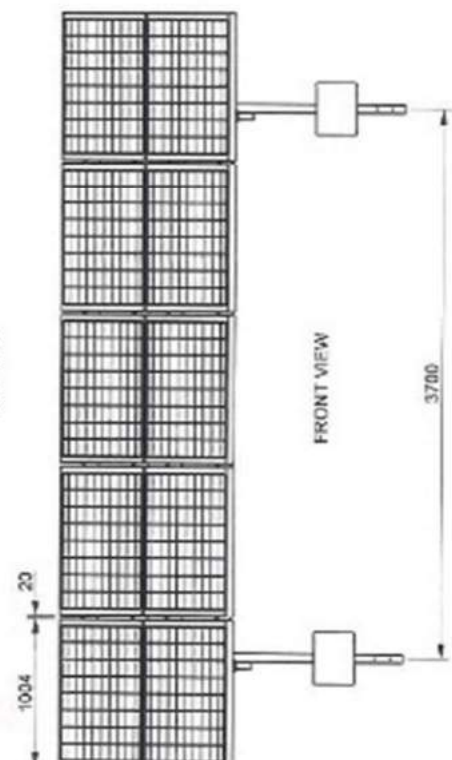
ISOMETRIC VIEW



SIDE VIEW

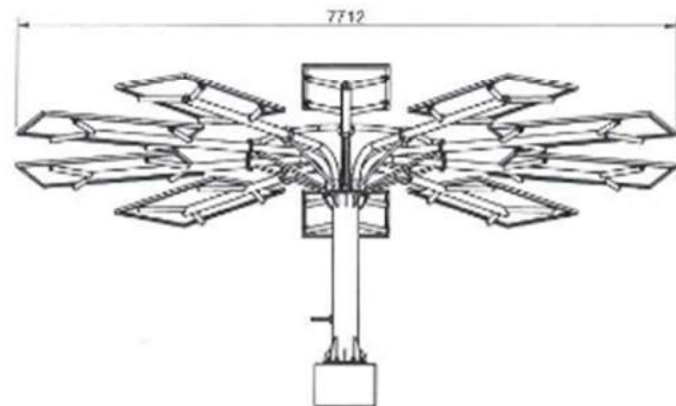
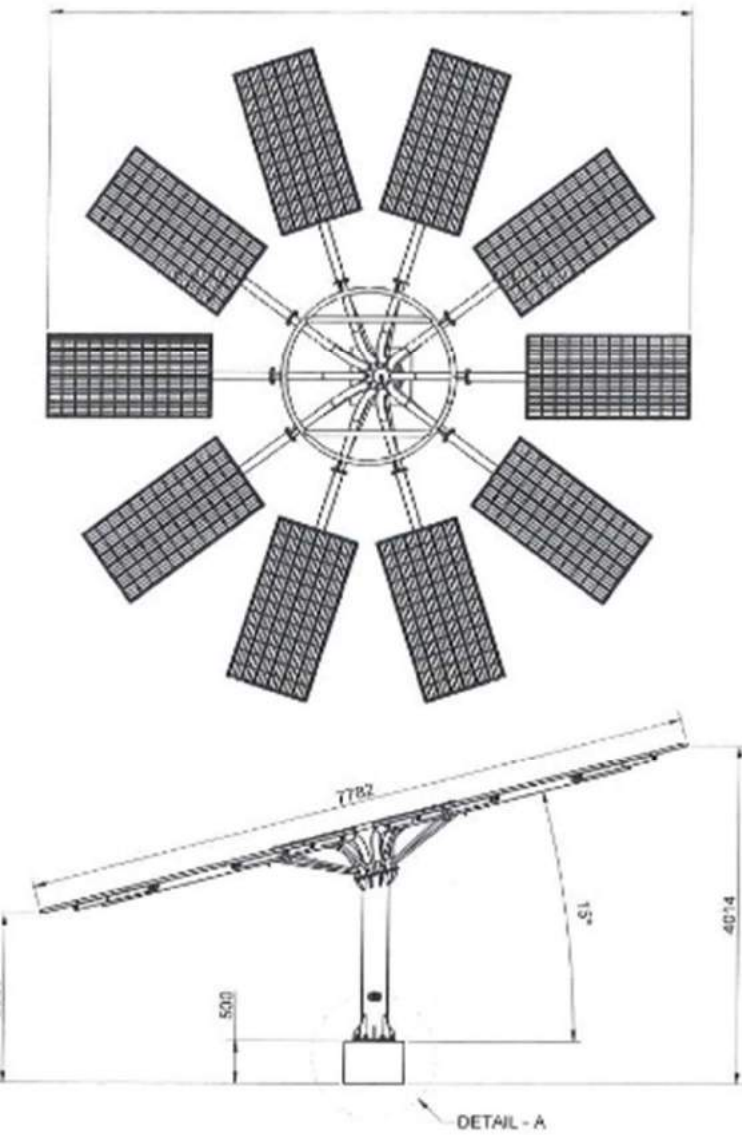


TOP VIEW

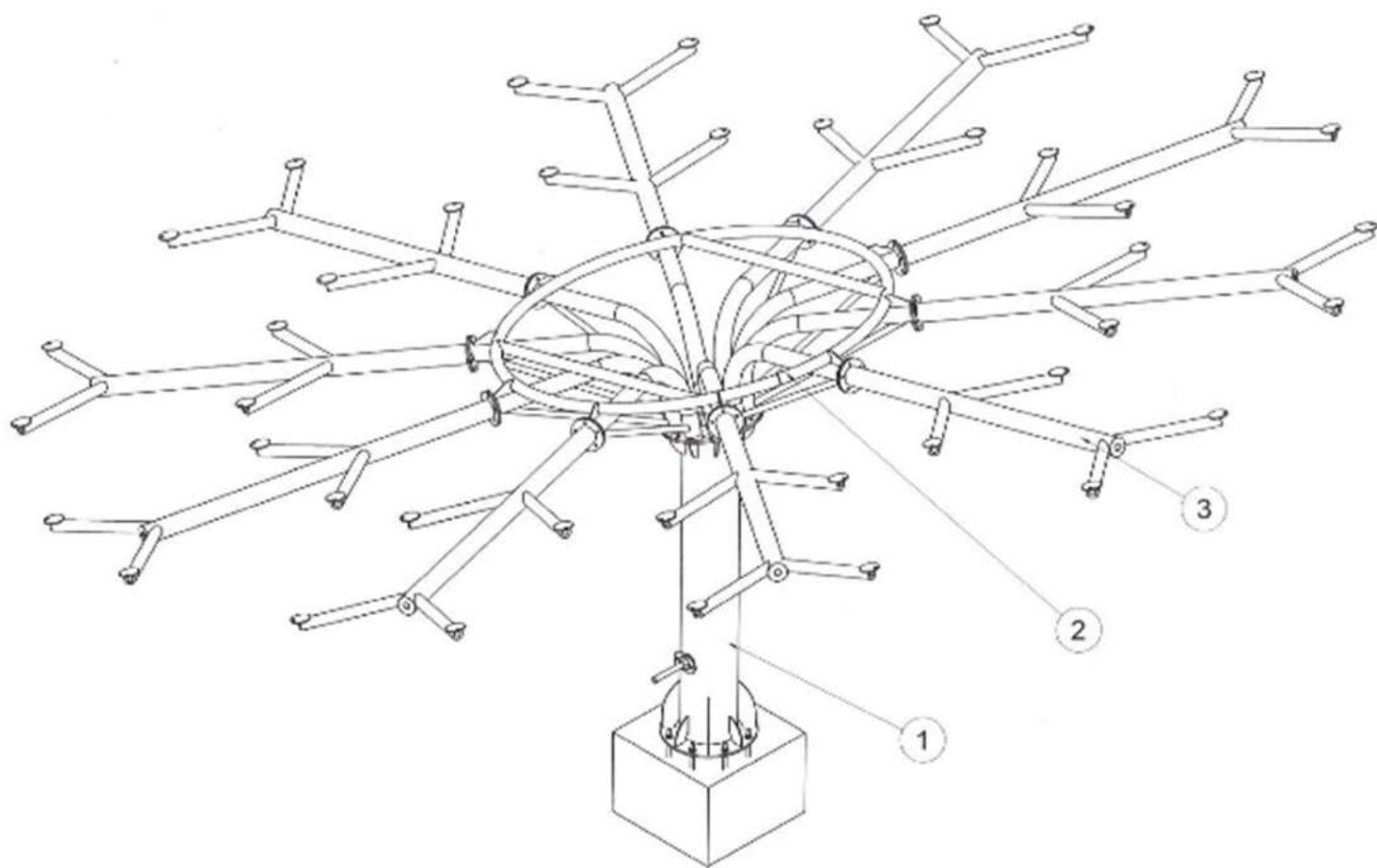


FRONT VIEW

SOLAR MMS



SOLAR TREE



SOLAR TREE



COPPER STRIP



GI STRIP



COPPER AND GI WIRE

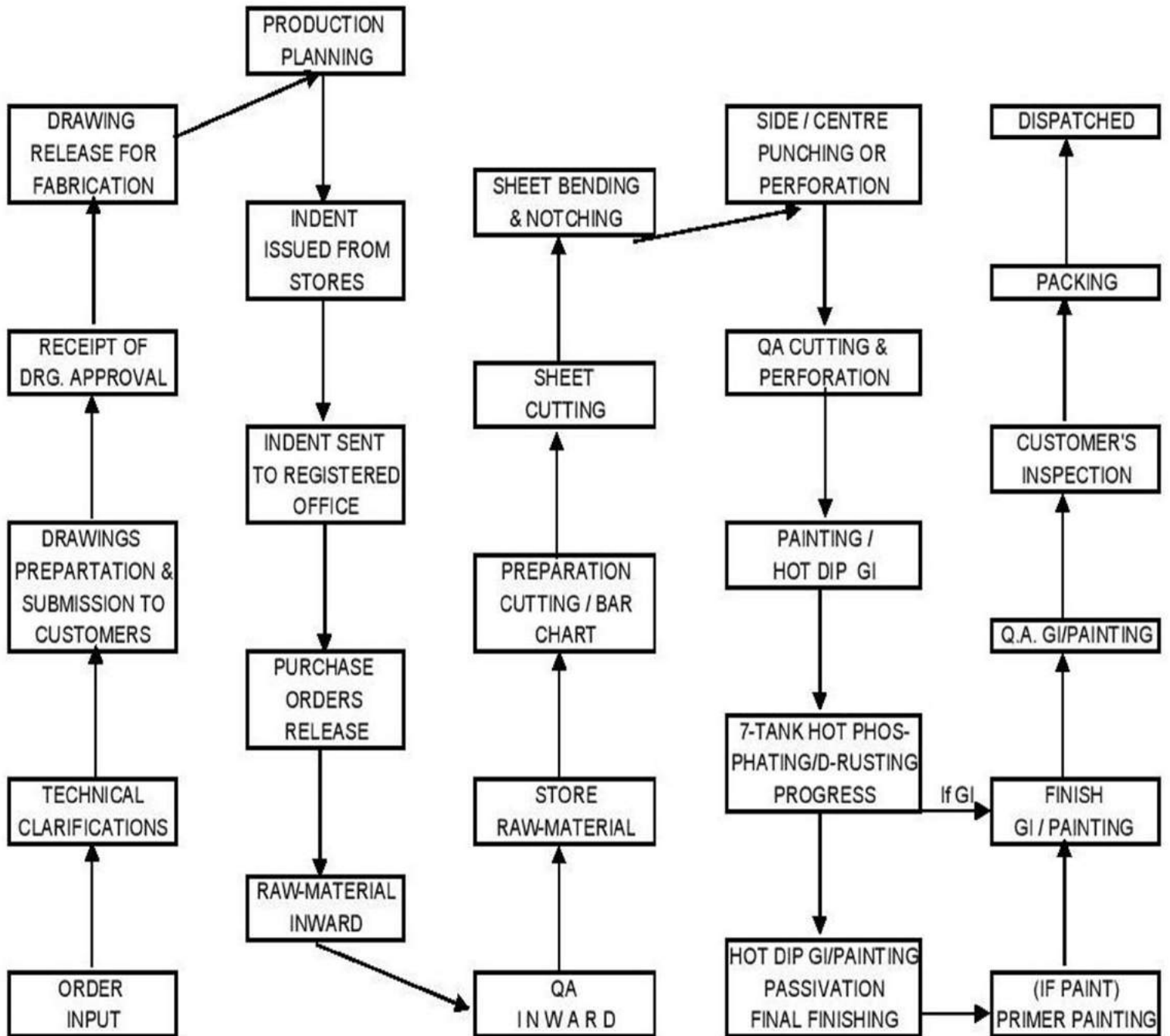
**AJAY INDUSTRIAL CORPORATION LIMITED - CREDENTIALS**

Company Name	Project	Amount	Status
Government of India Ministry of home affairs	NDRF	328 Lakhs	Executed
Shakti Electric Company	Dealer of Cable Tray in Delhi	53.09 Lakhs	Executed
Veolia India Pvt Ltd	Construction of water treatment Plant karnataka	245.00 Lakhs	Executed
Tata Power Solar System Limited	Chamoli Uttrakhand	10.39 Lakhs	Executed
Tata Power Solar System Limited	NTPC Laddhak	4.11 Lakhs	Executed
Tata Power Solar System Limited	Tata bluescop Jamshedpur	10.14 Lakhs	Executed
Tata Power Solar System Limited	Prayagraj power generation limited	4.41 Lakhs	Executed
Tata Power Solar System Limited	Upenda Bandra	4.41 Lakhs	Executed
JSP Projects Pvt Ltd	Himachal Pradesh State Electricity Board Limited	24.20 Lakhs	Executed
PAE Controls Pvt Ltd	Balrampur Sugar Mills	12 Lakhs	Executed
LP Enterprises	Wine factory Deoria Uttar Pradesh	15.5 Lakhs	Executed
Larsen & Toubro Limited	Gujarat State Electricity Corporation (GSECL)	40.71 Lakhs	Executed
Brilltech Engineers Pvt Ltd	Altura Gurgaon	3.62 Lakhs	Executed
AIF Engineering Pvt Ltd	CMR Nikkel India Pvt Ltd	2.85 Lakhs	Executed
Future Netwings Solution Pvt Ltd	Amrita Hospital Institute of Medical Sciences	200 Lakhs	Executed
AIF Engineering Pvt Ltd	HSIL Limited	15 Lakhs	Executed
Swastik Industries	Central Vista Redevelopment Project	7 Lakhs	Executed
Tata Power Solar System Limited	Gujarat State Electricity Corporation (GSECL)	48 Lakhs	Executed
Tata Power Solar System Limited	Brookfield / TPGEL Hybrid Rajasthan Project	110 Lakhs	Executed
Aircon Technique	Deepak Memorial Hospital	2 Lakhs	Executed
AIF Engineering Pvt Ltd	Hindalco	3.5 Lakhs	Executed

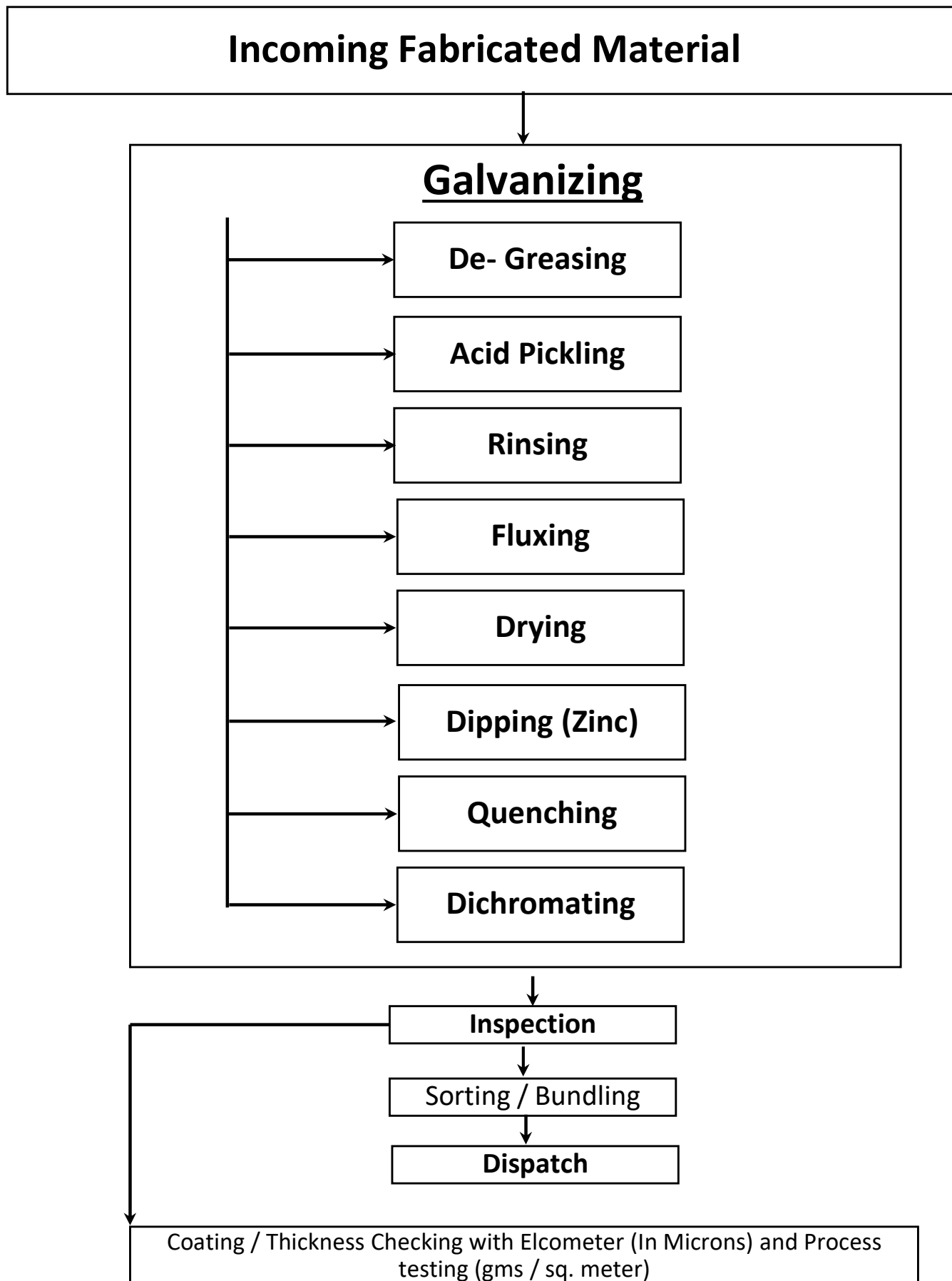
Credentials

Sl. No.	Name Of Customers	Country
1.	Air liquid	Abroad
2.	UNICEF, Copenhagen-enmark	Abroad
3.	Veolia India Private Limited	Abroad
4.	UNHCR – Kenya	Abroad
5.	Oxfam – United Kingdom	Abroad
6.	IOM, Switzerland	Abroad
7.	Global Aid Network - Canada	Abroad
8.	Living water International - USA	Abroad
9.	IFRC - Kenya	Abroad
10.	ACCESS, Andre Sri Lanka	Abroad
11.	Delta, Malawi	Abroad
12.	IOM, Switzerland	Abroad
13.	Global Aid Network - Canada	Abroad
14.	Living water International - USA	Abroad
15.	IFRC - Kenya	Abroad
16.	ACCESS, Andre Sri Lanka	Abroad
17.	Delta, Malawi	Abroad

MANUFACTURING METHOD & QUALITY CHART



GALVANIZING PROCESS FLOW CHART





AJAY INDUSTRIAL CORPORATION LTD.

Manufacturer & Exporters of all kind of hand pumps, Rigid UPVC Pipes, cPVC Pipes & Fittings, Cable Tray, Solar Structure

Quality Management

Our Quality Management carry out inspection starting from enquiry stage to PO receipt from customer to delivery of final goods as per agreed specification. We procure Raw-material conforming to IS Standards including physical visual & dimensional checks preparation of drawings, data sheets, quality out dimensional visual check during production process for 1st Batch and subsequently on random basis as per approved drawings. After production of the material as per, customer's requirement and standards, it is offered for joint inspection.

Quality Manual, IS Standards Manual, approved documents & drawings

Quality Management

M/s Ajay Industrial Corporation Limited		QUALITY ASSURANCE PLAN			DOCUMENT No. :- AIC/LAS/QAP/001		MADE APPLICABLE FOR PROJECT:		
		ITEM:- HOT DIP GALVANIZED			REV:- 00		PACKAGE: VENDOR:		
					Date:-				
Sl. No.	COMPONENTS & OPERATIONS	CHARACTERISTICS	CLASS	TYPE OF CHECK	QUANTUM OF CHECK	REFERENCE DOCUMENT/ ACCEPTANCE NORMS	FORMAT OF RECORD	AGENCY	REMARKS
1	2	3	4	5	6	7	8	M C L	10
1	1) Raw Material Steel Sheet (H.R)	a) Surface Finish b) Dimension c) Chemical Composition d) Chemical Zinc	Major Do Material TC	Visual Measurement Sample	Random Do Do	IS: 1079/10748/2062 or Equivalent Appd. Date Sheet IS: 1079/10748/2062 or Equivalent	Test Certificate/ Inspection Certificate Do Do	P - - - V V	65 Micron Average On token sample .LOT 460 Gram / Mtr ²
2	2) Fabrication	a) Dimension b) Surface Finish c) Weldig	Major Do Do Do	Measurement Visual Do Do	Random Do Do	Appd. Dwg./Date Sheet Do Do IS: 2629	Internal Records Do Do Do	P P P P	
3	2) Galvanisation	a) Process of Galvanizing	Do	Do	Do	IS: 2629	Do	P	
3	3) Finished Product	a) Dimension b) Surface Finish c) Thickness of Zinc Coating d) Adhesion e) Wt. of zinc coat test	Major Do Do Do Do	Measurement Visual Ecometer test Hammer test Measurement	Random Random Min.3 samples/lot 1 sample/ lot/type 1 sample Per Lot/Type	Appd. Dwg./Date Sheet Do Do IS: 2629 IS: 6745/4759	Test Certificate Inspection Report Do Do Do Do	P P P P P	

LEGEND:- * RECORDS IDENTIFIED WITH 'TICK' (✓) SHEET BE ESSENTIALLY INCLUDED BY SUPPLIER IN QA DOCUMENTATION.
M: MANUFACTURER / SUB-SUPPLIER C: MAIN SUPPLIER, L: TPV/ INSPECTION AGENCY
W: WITNESS AND V: VERIFICATION, AS APPROPRIATE.

PAGE 1 OF 1
PREPARED BY: APPROVED BY: PREPARED SEAL

Quality Control Procedure

Raw Material: Our Inspection team carry out inspection of raw material as per IS Standards including physical visual dimensional checks and release the raw material after verifying thoroughly as per approved drawing/documents.

M/s Ajay Industrial Corporation Limited		INCOMING INSPECTION REPORT FOR STEEL		Doc No: AICL/ASIR/01	
Description of Item	-: Sheet			Client Name :-	
Report No.	-:			Project :-	
Date of Inspection	-:			P.O No. :-	
S. No.	Test to be carried out	Observations	Status	Action	
			Ok / Not Ok		
1	Thickness	1.6/2/2.5/3MM	Ok/Not Ok		
2	Wrinkle If any	YES/No	Ok/Not Ok		
3	Size of Sheet	1203X2501MM	Ok/Not Ok		
4	Test Certificate	Required	Ok/Not Ok		
5	Hardness of Sheet	Ok/Not Ok	Ok/Not Ok		
6	Grade of Sheet	HR Sheet As Per IS:1079/10748/2062	Ok/Not Ok		
7	Quality of Pre Galvanising	No	Ok/Not Ok		
8	Pre Galvanized Coating thickness	80-120 GSM	Ok/Not Ok		
9	Chemical Composition	As per IS:1079/10748/2062	Ok/Not Ok		

(Store Incharge)

(Q.A.E)

(Prod. Mgr.)

PLANTS & MACHINERIES

at Ajay Industrial corporation limited ,20/11,site4,sahibabad Industrial area

STEEL STRUCTURE DIVISION (FOR CABLE TRAY/SOLAR STRUCTURE/PUMP ETC.)

SI NO	Area	Machins	Qty
1	Galvanising Plant(seven tank process)	Pickling Tank(Acid Tank)	1
2		Pure water tank	1
3		Flux Tank	1
4		Heating Oven	1
5		Zinc Melting Tank	1
6		Cooling Tank(water)	1
7		Dichromate Solution Tank	1
8		Over Head crane	1
9		Over Head crane	1
10		Over Head crane	1
11		Air Blower	4
12		Blower Fan	2
13		Water Pump	2
14	Press Shop	Mechanical Shearing Machine	2
15		Mechanical Bending Machine	2
16		Hydraulic Bending Machine	2
17		Perforating Machine	1
18		Mechanical Power Press	9
19		Manual Hand Press	1
20		Hydraulic Press	3
21	CNC Lathe Machines	CNC Lathe Machines (Concept)	1
22		CNC Lathe Machines (LMW)	1
23		CNC Lathe Machines (Gield Meister)	1
24		CNC Lathe Machines (LMW)	2
25		VMC Machines (BFW)	1
26	Bandsaw Machines	Bandsaw Machine (Neeraj Engg. Works)	1
27		Bandsaw Machine (Laxson)	1
28		Bandsaw Machine (Indotech)	1
29	Sander	Sander Machine	1
30	Honing	Honing Machine	1
31	Milling Machine	Milling Machine	6
32	Drilling Machine	Drilling Machine	6
33	Surface Grinder	Surface Grinder	3
34	Arc Welding Machines / Mig Welding	Mig Welding Machines (Shivshakti)	26
35	Electric Arc Welding	Electric Arc Welding Machine	

PLANTS & MACHINERIES

at Ajay Industrial corporation limited ,20/11,site4,sahibabad Industrial area

STEEL STRUCTURE DIVISION (FOR CABLE TRAY/SOLAR STRUCTURE/PUMP ETC.)

SI NO	Area	Machins	Qty
36	Tig Welding	Tig Welding Machines (Swastik)	1
37	Manual Lathe Machine	Lathe Machine	12
38	Chaser Threading Machine	Chaser Threading Machine	4
39	Buffing Machines	Buffing Machine	5
40		Belt Grinding Machine	1
41	Thread Rolling Machine	Thread Rolling Machine	2
42	Shaper	Shaper Machine	2
43	Effluent treatment Plant	Dosing Pump	5
44		Polyglass Pressure Vessel (Filter)	2
45		Caustic soda tank	1
46		Alum Tank	1
47		Poly electrolyte tank)	1
48		Sludge bed	4
49		Cemented brick Small Tank(dirty water)	5
50		Iron Tank (Dirty water and chemicals mixing)	1
51		Iron Tank (Big)	1
52		FRP Tank	1
53	Air Pollution System	Chimney	1
54	Generator 250 KVA	Generator	2
55	DG Set 500 KVA	Generator	1
56	PUG Set Machine	Pug machine	1
57	Electronic Weighing Machine	EWM	1
58	Fork Lifter	FL	1
59	Hydraulic Hand pallet truck	HHPT	1
60	Auto Packing Machine	APM	1
61	Tapping Machine	Tapping Machine	1
62	Optical Laser Fibre Engraving Machine	OLFEM	1
63	Pantograph Machine	Pantograph	1
64	UPVC DIVISION	Extruder Machine (Kabra)	2
65		Mixture Machine (Jogindra)	2
66		Breaker Machine (Jogindra)	2
67		Pulvariser Machine (Jogindra)	2
68		Slotting Machine (Jogindra)	2
69	Injection Mouding Machine	Injection Moulding Machine	1
70	CNC Lathe Machine	CNC Lathe Machine (Hytech)	3
71	Belling Machine	Belling Machine	2
72	Hydraulic Press	Hydraulic Press	3
73	Chamfering Machine	Chamfering Machine	1
74	Lathe Machine	Lathe Machine 1	